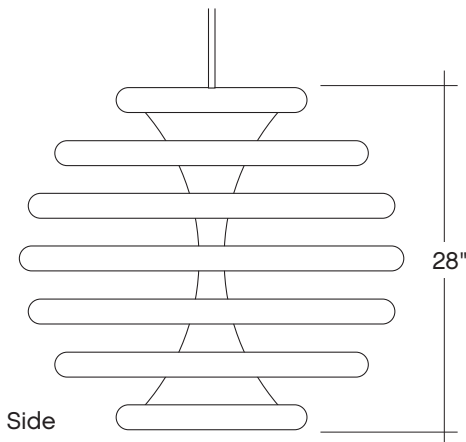
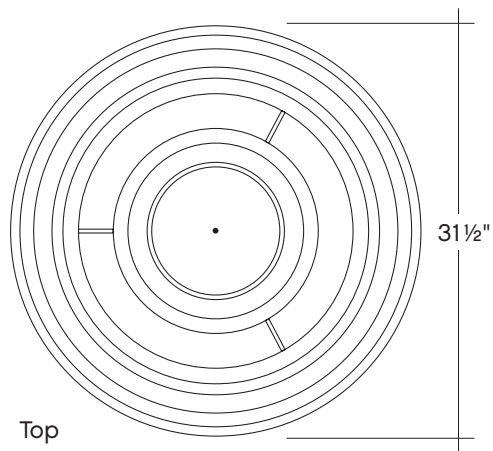
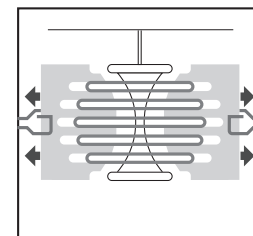
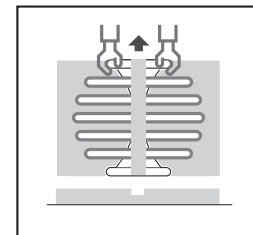
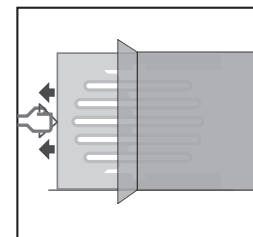


Radius CGRNO-P01

Pendant Sphere



Innovative packaging



- Price:** On Request
- Illuminant:** 11 meter LED ribbon type 5050
1000 Lumens/Meter
Kelvin Temp 2700 RA<80
- Lumens:** 7000 Lm
- Consumption:** 150W
- Finish:** White-painted Aluminum
Opal White Lumio Lens
- Weight:** 11kg/18.71lbs.

- Driver:** Integrated Electronic Dimmable
Listed for use in Dry Environments
Pending
- Options:** Standard PC Colors. Metallic
& Aluminum Finish
- Connection:** Quad Junction Box
- Support:** Proper Blocking Support Must be
Provided to Secure Mounting.
- Design:** Esko Schmidt-Sorensen

Color Group/Finishes



Metal/Aluminum



Powder Coated



Options

Metallic Paint



Colors are approximate reproductions. Please refer to manufacturers documentation for color matching.